



Angle Hose Valve

Standard Angle Hose Valve 2.5" Female Inlet x 2.5" Male Hose Thread Outlet.

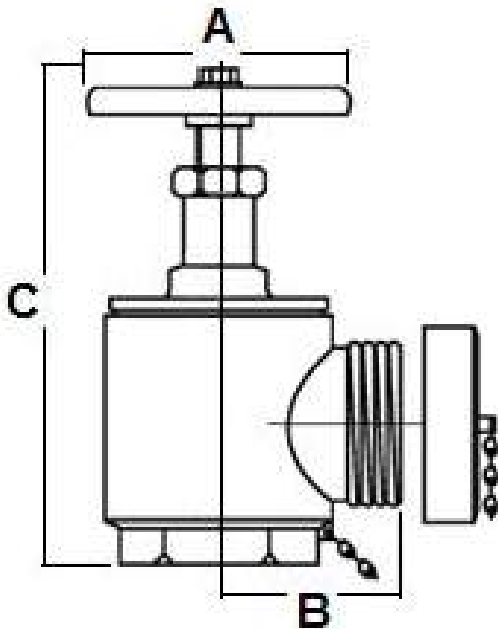
Our 2-1/2" angle hose valves are pressure tested for 300 lb (2070 KPa). They're made of Lightweight cast brass body with a Forgeline Bonnet and Seat Assembly. They are UL / ULC listed and FM Approved.



FINISH: Cast Brass

OPTIONS: Polish Brass, Cast Chrome, Polish Chrome

HOSE THREADS AVAILABLE: CSA, BCT, WCT, QST, NSST, **NPSH**, NST, Louisville, Cleveland, Chicago, Pittsburgh, New Cincinnati, New York Corp., New York Fire Department, Richmond, Raleigh



A= 5"
B= 3-3/16"
C= 11" (OPEN)
C= 9 1/4" (CLOSED)
Weight: 9lbs
Working Pressure: 300lb (2070 Kpa)

The information contained herein is believed to be reliable but is for guidance only. Brecco Distribution and its agents cannot assume liability for results obtained in the use of its products by the persons whose methods are outside or beyond our control. It is the user's responsibility to determine the suitability of any products, methods of use, or preparation prior to use, mentioned in our literature. It is the user's responsibility to observe and adapt such precautions as may be advisable for the protection of personnel and property in the handling and use of any of our products.

Brecco Distribution Corp.

77 N. 45th Avenue Ste #1 Phoenix, AZ. 85043
P: (800)543-4194 F: (602)484-9248